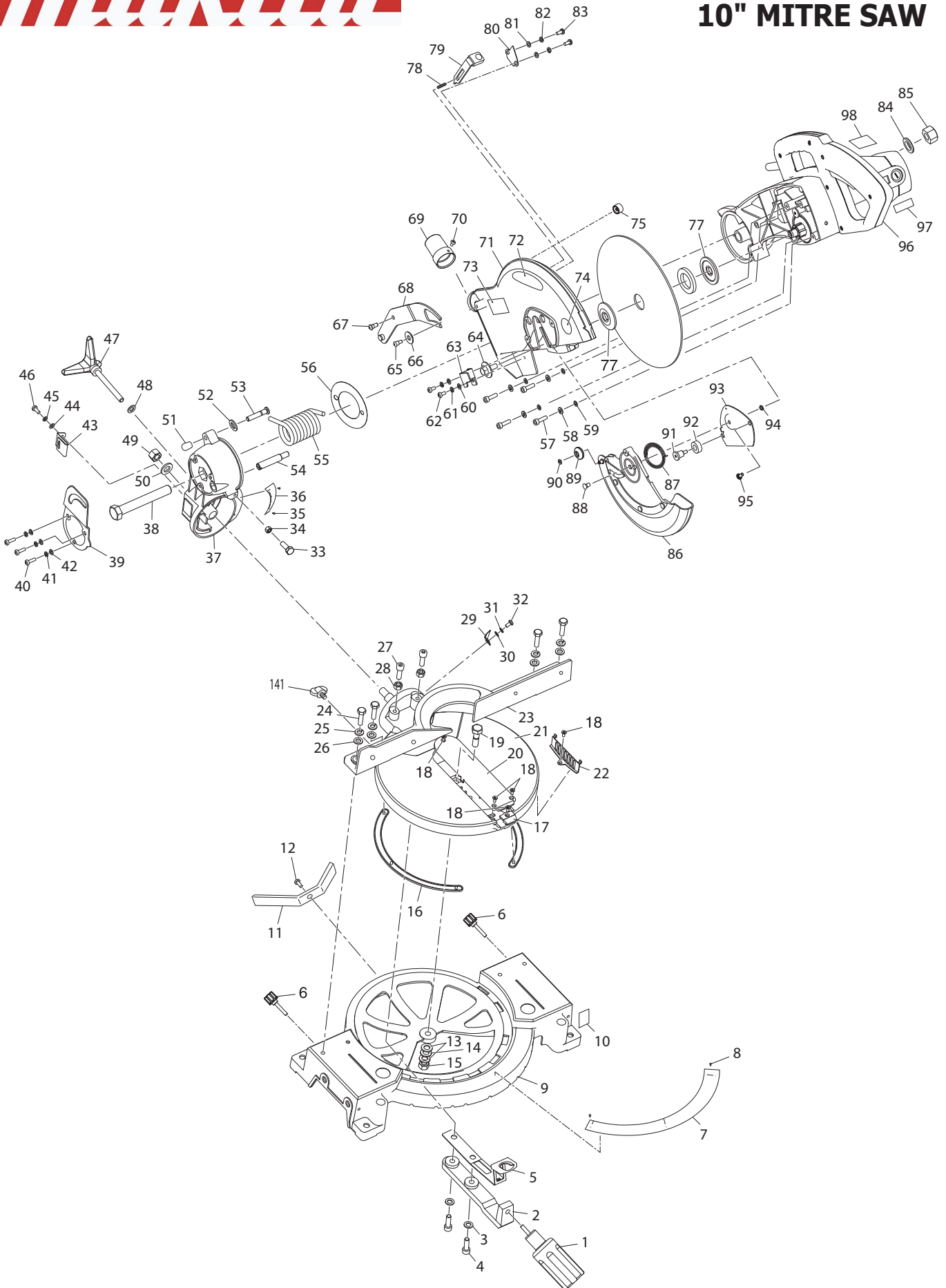
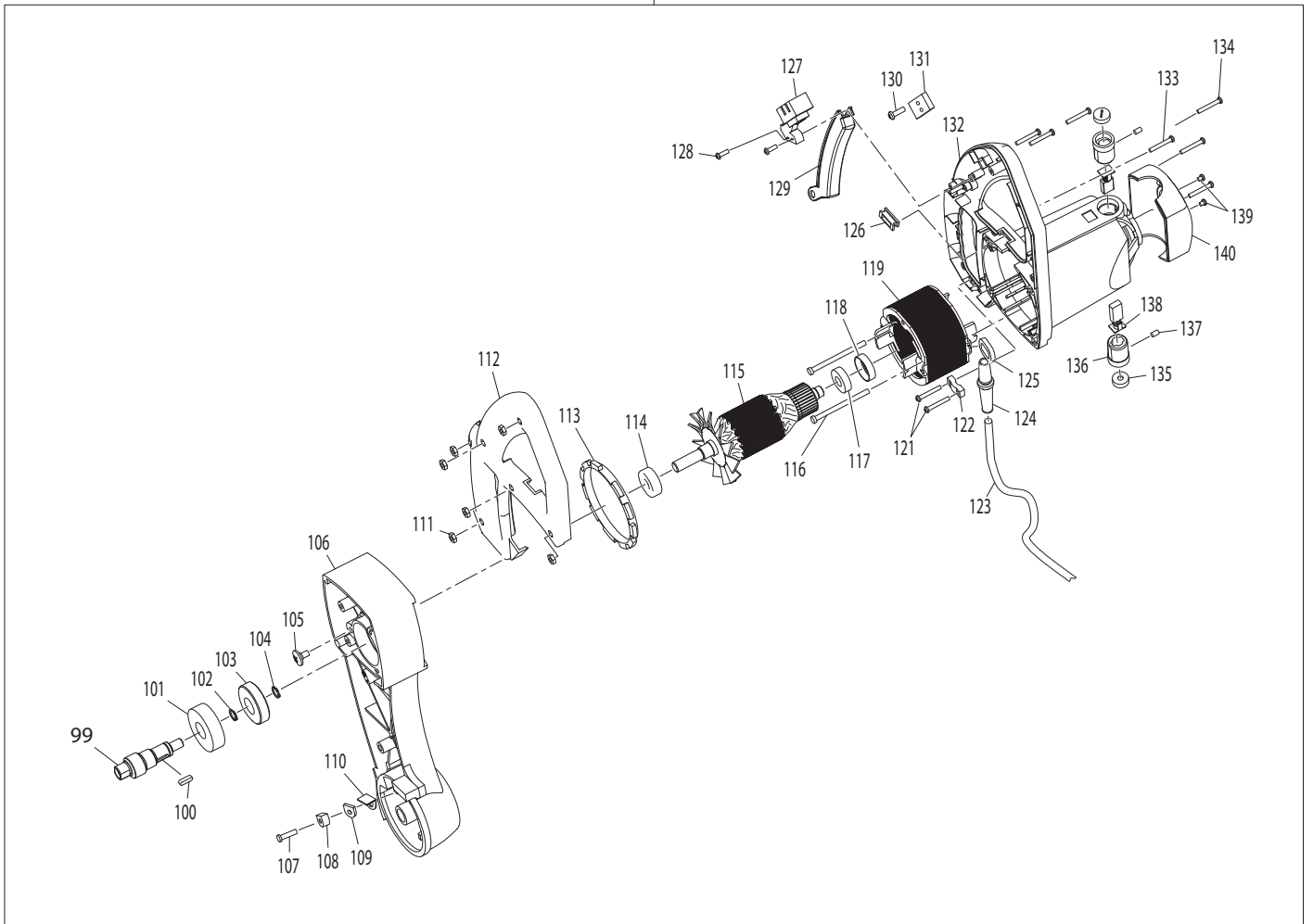




06 - 2010
MLS100
10" MITRE SAW





| Item No. | Type | Sub | Part No. | Description (* see Service changes on the bottom) | Qty | Unit |
|----------|------|------|------------|---|-----|------|
| 1 | | | JM23000001 | GRIP | 1 | PC. |
| 2 | | | JM23000002 | HANDLE BRACKET | 1 | PC. |
| 3 | | | JM23000003 | SPRING WASHER8 | 2 | PC. |
| 4 | | | JM23000004 | HEX. SOCKET HEAD BOLT M8 X 20 | 2 | PC. |
| 5 | | | JM23000005 | KNOCK SPRING | 1 | PC. |
| 6 | | | JM23000006 | LOCK KNOB FOR EXT.WINGS | 2 | PC. |
| 7 | | | JM23000007 | MITER ANGLE LABEL | 1 | PC. |
| 8 | | | JM23000008 | RIVET | 2 | PC. |
| 9 | | | JM23000009 | BASE COMP | 1 | PC. |
| | | INC. | | Item No. 7,8,10 | | |
| 10 | | | 810965-6 | CAUTION LABEL | 1 | PC. |
| 11 | | | JM23000011 | BASE SUPPORTER | 1 | PC. |
| 12 | | | JM23000012 | SCREW | 1 | PC. |
| 13 | | | JM23000013 | FLAT WASHER10 | 2 | PC. |
| 14 | | | JM23000014 | SADDLE SHAPE WASHER | 1 | PC. |
| 15 | | | JM23000015 | ANTI-LOOSE NUTM10 | 1 | PC. |
| 16 | | | JM23000016 | SLIDE PLATE | 2 | PC. |
| 17 | | | JM23000017 | MITER ANGLE POINTER | 1 | PC. |
| 18 | | | JM23000018 | COUNTERSUNK HEAD SCREW M4X10 | 5 | PC. |
| 19 | | | JM23000019 | PIVOT | 1 | PC. |
| 20 | | | JM23000141 | KERF BOARD | 1 | PC. |
| 21 | | | JM23000021 | TURN BASE COMP. | 1 | PC. |
| 22 | | | JM23000022 | PROTECTION NET | 1 | PC. |
| 23 | | | JM23000023 | GUIDE RULE | 1 | PC. |
| 24 | | | JM23000024 | HEX.BOLT M8X30 | 4 | PC. |
| 25 | | | JM23000003 | SPRING WASHER8 | 4 | PC. |
| 26 | | | JM23000026 | FLAT WASHER8 | 4 | PC. |
| 27 | | | JM23000027 | HEX. BOLT M8 X 20 | 2 | PC. |
| 28 | | | JM23000028 | HEX. NUT M8 | 2 | PC. |
| 29 | | | JM23000029 | BEVEL POINTER | 1 | PC. |
| 30 | | | JM23000030 | FLAT WASHER5 | 1 | PC. |
| 31 | | | JM23000031 | SPRING WASHER5 | 1 | PC. |
| 32 | | | JM23000032 | PAN HEAD SCREW M5 X 10 | 1 | PC. |
| 33 | | | JM23000033 | HEX. BOLT M8X16 | 1 | PC. |
| 34 | | | JM23000028 | HEX. NUT M8 | 1 | PC. |
| 35 | | | JM23000034 | RIVET | 2 | PC. |
| 36 | | | JM23000035 | SCALE LABEL | 1 | PC. |
| 37 | | | JM23000036 | ARM COMPLETE | 1 | PC. |
| | | INC. | | Item No. 35,36 | | |
| 38 | | | JM23000037 | SHAFT | 1 | PC. |
| 39 | | | JM23000038 | LINK SUPPORT PLATE (OLD) | 1 | PC. |
| 40 | | | JM23000039 | PAN HEAD SCREW M6 X 16 | 3 | PC. |
| 41 | | | JM23000040 | SPRING WASHER6 | 3 | PC. |
| 42 | | | JM23000041 | FLAT WASHER6 | 3 | PC. |
| 43 | | | JM23000042 | CLIP | 1 | PC. |
| 44 | | | JM23000030 | FLAT WASHER5 | 1 | PC. |
| 45 | | | JM23000031 | SPRING WASHER5 | 1 | PC. |
| 46 | | | JM23000032 | PAN HEAD SCREW M5 X 10 | 1 | PC. |
| 47 | | | JM23000143 | KNOB | 1 | PC. |
| 48 | | | JM23000013 | FLAT WASHER10 | 1 | PC. |
| 49 | | | JM23000044 | ANTI-LOOSE NUTM12 | 1 | PC. |
| 50 | | | JM23000045 | FLAT WASHER12 | 1 | PC. |
| 51 | | | JM23000046 | LOCK PIN CAP | 1 | PC. |
| 52 | | | JM23000047 | O RING | 1 | PC. |
| 53 | | | JM23000048 | PIN | 1 | PC. |
| 54 | | | JM23000049 | LIMIT PIN | 1 | PC. |
| 55 | | | JM23000050 | TORSIONAL SPRING | 1 | PC. |

| Item No. | Type | Sub | Part No. | Description (* see Service changes on the bottom) | Qty | Unit |
|----------|------|------|------------|---|-----|------|
| 56 | | | JM23000051 | RING | 1 | PC. |
| 57 | | | JM23000052 | HEX. SOCKET HEAD BOLT M6 X 20 | 4 | PC. |
| 58 | | | JM23000040 | SPRING WASHER6 | 4 | PC. |
| 59 | | | JM23000041 | FLAT WASHER6 | 4 | PC. |
| 60 | | | JM23000030 | FLAT WASHER5 | 2 | PC. |
| 61 | | | JM23000031 | SPRING WASHER5 | 2 | PC. |
| 62 | | | JM23000032 | PAN HEAD SCREW M5 X 10 | 2 | PC. |
| 63 | | | JM23000053 | PLATE | 1 | PC. |
| 64 | | | JM23000054 | BLADE LOCK BOLT | 1 | PC. |
| 65 | | | JM23000055 | STEPPED BOLT M5 | 1 | PC. |
| 66 | | | JM23000056 | BUSH | 1 | PC. |
| 67 | | | JM23000057 | STEPPED BOLT M6 | 1 | PC. |
| 68 | | | JM23000058 | LINK COMP. | 1 | PC. |
| 69 | | 1 | JM23000059 | * DUST NOZZLE | 1 | PC. |
| | | 2 | JM23000178 | * DUST NOZZLE | 1 | PC. |
| 70 | | | JM23000060 | * PAN HEAD SCREW M4 | 2 | PC. |
| 71 | | 1 | JM23000146 | * BLADE CASE COMP. | 1 | PC. |
| | | INC. | | * Item No. 72-74 | | |
| | | 2 | JM23000180 | * BLADE CASE COMP. | 1 | PC. |
| | | INC. | | * Item No. 72-74 | | |
| 72 | | | JM23080002 | MAKITA LABEL | 1 | PC. |
| 73 | | | 817667-5 | CAUTION LABEL | 1 | PC. |
| 74 | | | 810968-0 | CAUTION LABEL | 1 | PC. |
| 75 | | | JM23000063 | LIMIT RING | 1 | PC. |
| 77 | | | JM23000065 | FLANGE | 2 | PC. |
| 78 | | | JM23000066 | LOCK SPRING | 1 | PC. |
| 79 | | | JM23000067 | SHAFT LOCK | 1 | PC. |
| 80 | | | JM23000068 | COVER | 1 | PC. |
| 81 | | | JM23000030 | FLAT WASHER5 | 2 | PC. |
| 82 | | | JM23000031 | SPRING WASHER5 | 2 | PC. |
| 83 | | | JM23000069 | PAN HEAD SCREW M5 X 12 | 2 | PC. |
| 84 | | | JM23000070 | FLAT WASHER16 | 1 | PC. |
| 85 | | | JM23000071 | ANTI-LOOSE NUT16 | 1 | PC. |
| 86 | | | JM23000072 | SAFETY COVER COMP. | 1 | PC. |
| 87 | | | JM23000073 | TORSION SPRING | 1 | PC. |
| 88 | | | JM23000074 | SQUARE NECK BOLTM6X10 | 1 | PC. |
| 89 | | | JM23000075 | WHEEL | 1 | PC. |
| 90 | | | JM23000076 | E RING | 1 | PC. |
| 91 | | | JM23000077 | STEPPED BOLT M6 | 1 | PC. |
| 92 | | | JM23000078 | RUBBER SLEEVE | 1 | PC. |
| 93 | | | JM23000079 | FIX PLATE | 1 | PC. |
| 94 | | | JM23000080 | ANTI-LOOSE NUTM6 | 1 | PC. |
| 95 | | | JM23000081 | STEPPED BOLT M5 | 1 | PC. |
| 97 | | | 810964-8 | CAUTION LABEL | 1 | PC. |
| 98 | | | JM23080055 | NAME PLATE | 1 | PC. |
| 99 | | | JM23000084 | SPINDLE | 1 | PC. |
| 100 | | | JM23000085 | KEY5X10 | 1 | PC. |
| 101 | | | JM23000086 | BALL BEARING 6304-RZ | 1 | PC. |
| 102 | | | JM23000087 | SPACE RING 20 | 1 | PC. |
| 103 | | | JM23000088 | HELICAL GEAR | 1 | PC. |
| 104 | | | JM23000089 | SPACE RING 16 | 1 | PC. |
| 105 | | | JM23000090 | PAN HEAD SCREW M6 | 1 | PC. |
| 106 | | | JM23000091 | GEAR HOUSING COMP. | 1 | PC. |
| 107 | | | JM23000092 | PAN HEAD SCREW M5 X 20 | 1 | PC. |
| 108 | | | JM23000093 | LIMIT PLATE | 1 | PC. |
| 109 | | | JM23000094 | LIMIT PAD | 1 | PC. |
| 110 | | | JM23000095 | ADJUST PAD | 1 | PC. |

| Item No. | Type | Sub | Part No. | Description (* see Service changes on the bottom) | Qty | Unit |
|----------|------|------|------------|---|-----|------|
| 111 | | | JM23000096 | HEX.NUTM4 | 6 | PC. |
| 112 | | | JM23000149 | HANDLE COVER | 1 | PC. |
| 113 | | | JM23000098 | FAN GUIDE | 1 | PC. |
| 114 | | | JM23000099 | BALL BEARING 6201Z | 1 | PC. |
| 115 | | | JM23000167 | ARMATURE ASS'Y. (120V) | 1 | PC. |
| | | INC. | | Item No. 114,117 | | |
| 116 | | | JM23000101 | SELF TAPING SCREWST4.8X70 | 2 | PC. |
| 117 | | | JM23000102 | BALL BEARING 6001Z | 1 | PC. |
| 118 | | | JM23000103 | RUBBER RING | 1 | PC. |
| 119 | | | JM23000169 | FIELD ASS'Y (120V) | 1 | PC. |
| | | INC. | ---- | RECEPTACLE F/ARMATURE (N/A for repair) | 2 | PC. |
| 120 | | | ---- | * RECEPTACLE F/SWITCH (For 18 GAUGE WIRE) | 3 | PC. |
| | | | ---- | * RECEPTACLE F/SWITCH (For 16 GAUGE WIRE) | 1 | PC. |
| 121 | | | JM23000106 | SELF TAPING SCREWST4.2X12 | 2 | PC. |
| 122 | | | JM23000107 | STRAIN RELIEF | 1 | PC. |
| 123 | | | JM23000163 | POWER SUPPLY CORD | 1 | PC. |
| 124 | | | JM23000109 | CORD GUARD | 1 | PC. |
| 125 | | | JM23000110 | NOISE SUPPRESSOR | 1 | PC. |
| 126 | | | JM23000111 | CLAMP | 1 | PC. |
| 127 | | | JM23000112 | SWITCHCB21-B | 1 | PC. |
| 128 | | | JM23000113 | SELF TAPING SCREWST 3X8 | 2 | PC. |
| 129 | | | JM23000114 | SWITCH LEVER | 1 | PC. |
| 130 | | | JM23000115 | SELF TAPING SCREWST4.2X12 | 2 | PC. |
| 131 | | | JM23000116 | TERMINAL BASE | 1 | PC. |
| 132 | | | JM23000151 | MOTOR HOUSING COMP. | 1 | PC. |
| | | INC. | | Item No. 97,136,137 | | |
| 133 | | | JM23000118 | PAN HEAD SCREW M4X30 | 6 | PC. |
| 134 | | | JM23000119 | SELFTAPPING SCREW | 1 | PC. |
| 135 | | | JM23000120 | BRUSH HOLDER CAP | 2 | PC. |
| 136 | | | JM23000121 | BRUSH HOLDER | 2 | PC. |
| 137 | | | JM23000122 | HEX. SOCKET HEAD BOLT M5 X 8 | 2 | PC. |
| 138 | | | JM23000123 | CARBON BRUSH | 1 | SET |
| 139 | | | JM23000124 | SELF TAPING SCREWST5.2X12 | 2 | PC. |
| 140 | | | JM23000125 | MOTOR REAR COVER | 1 | PC. |
| 141 | | | JM23000126 | WING BOLT | 1 | PC. |
| 151 | | | JM23000183 | CAPACITOR (Add) | 1 | PC. |
| 152 | | | JM23000185 | * KNOCK SPRING CAP (Add) | 1 | PC. |
| 200 | | | JM23000129 | WING BOLT(FOR SET PLATE) | 1 | PC. |

ACCESSORIES

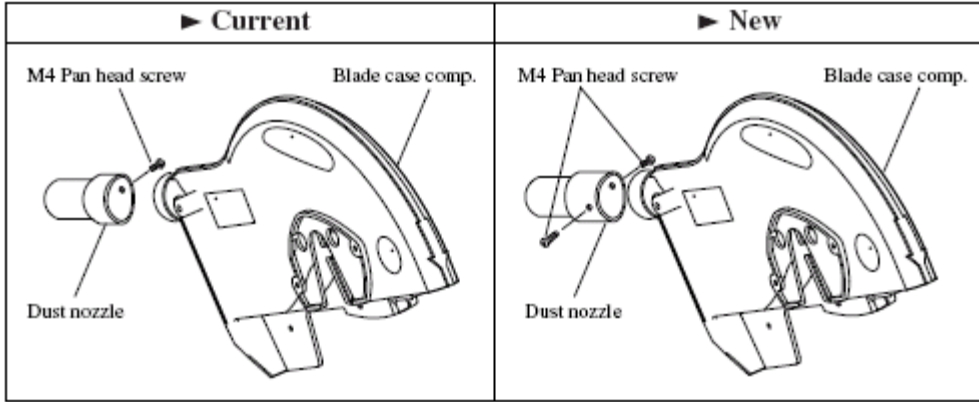
- See Catalogue or visit www.makita.ca for optional accessories -

| | | | | | | |
|-----|--|--|------------|------------------------|---|-----|
| A01 | | | JM23000127 | HOLDER SET | 2 | PC. |
| A02 | | | JM23000128 | SET PLATE | 2 | PC. |
| A03 | | | JM23000130 | WRENCH | 1 | PC. |
| A04 | | | JM23000131 | VERTICAL VISE ASS'Y | 1 | PC. |
| A05 | | | 122523-9 | DUST BAG ASS'Y | 1 | PC. |
| A06 | | | 762001-3 | TRIANGULAR RULE | 1 | PC. |
| A07 | | | A-93669 | 10" C.T. SAW BLADE 40T | 1 | PC. |

SERVICE CHANGES

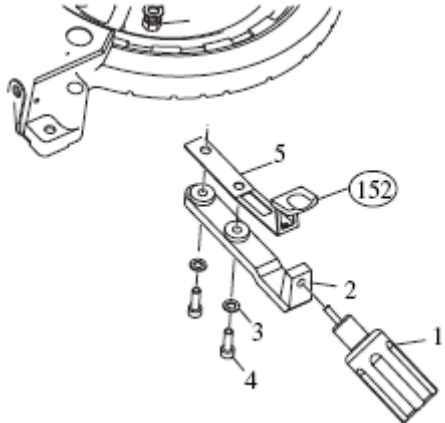
1. Changes on Dust Nozzle and Blade Case Complete

| Item No. | Description | Type 1 | Type 2 |
|----------|-----------------|-------------------|-------------------|
| 69 | Dust Nozzle | JM23000059 | JM23000178 |
| 70 | P.H Screw | JM23000060 (1pcs) | JM23000060 (2pcs) |
| 71 | Blade Case Com. | JM23000146 | JM23000180 |



2. Addition of Knock Spring Cap

| Item No. | Description | Type 1 | Type 2 |
|----------|------------------|--------|------------|
| 152 | KNOCK SPRING CAP | ---- | JM23000185 |



3. RECEPTACLE FOR SWITCH

| Item No. | Description |
|----------|----------------------------------|
| 120 | Receptacle for 18 guage wire x 1 |
| | Receptacle for 16 guage wire x 3 |

*Please buy receptacle locally and have shrink tubing to insulate the receptacle